

**Frozen
 Frozen granita dispenser with 3 bowls,
 mechanical control and lighted panel
 with UK plug**

ITEM # _____

MODEL # _____

NAME # _____

SIS # _____

AIA # _____


562531 (IPRO3MLR290)

Frozen Granita Dispenser with 3X11 l insulated bowls, mechanical control and lighted panel, R290 - UK plug

Short Form Specification

Item No. _____

Frozen granita dispenser with 3 bowls; the ITANK™ Technology prevents ice accumulation on the outer side of the bowl and the bowl shape allows a natural mixing action to ensure an optimum consistency of the product. Customizable lid merchandiser and back graphic. Mechanical keypad allows for setting of cooling and defrost modes. Electromechanical control and lighted illuminated panel. Sliding drip tray. Delivered with UK plug.

Main Features

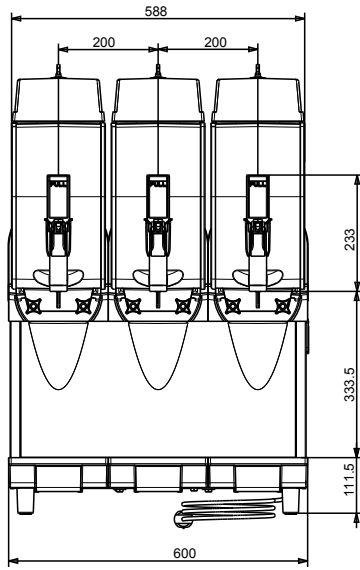
- Mini dispenser for cold creams and sorbet.
- Ideal for the operators who have little space available and small sales volumes, it is also perfect for off-season use, when frozen product demand is low.
- Small dimension of the tank grants a more frequent renewal of the product inside of it for a higher freshness.
- Ideal for the production of slush.
- The insulated tank guarantees higher cooling efficiency and lower effect of the external temperature on product's preparation and maintenance time reducing condense and draining; it is the best solution in hot climate conditions.
- The ITANK™ Technology prevents ice accumulation on the outer side of the bowl, reducing condensation and increasing the cooling power of the machine.
- Bowl shape allows a natural mixing action to ensure an optimum consistency of the product.
- Customizable lid merchandiser and back graphic.
- Ideal for operators who want an innovative and distinctive equipment. Mechanical keypad allows for setting of cooling and defrost modes.
- The front illuminated panel provides customers with the opportunity to advertise their product and maximise impulse buying.

Construction

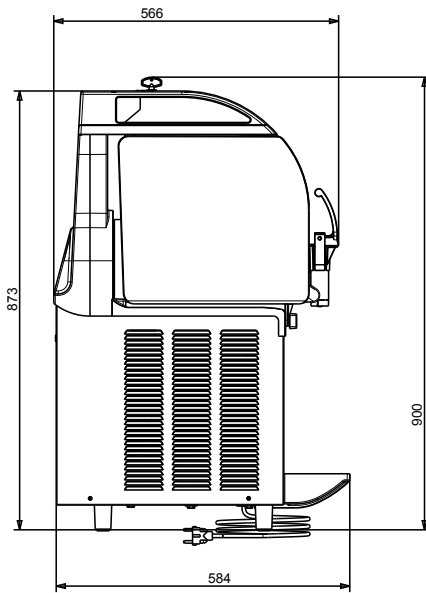
- Special fire-resistant plastic frame composed of ABS & Polycarbonate, steel side panels.
- Works with air cooling system.
- Electromechanical control.
- Sliding drip tray.

APPROVAL: _____

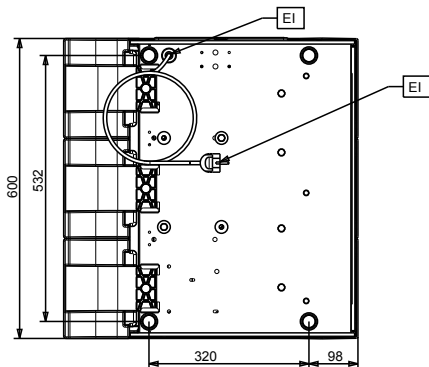
Front



Side



Top



Electric

Supply voltage:

562531 (IPRO3MLR290) 220-240 V/1 ph/50 Hz

Electrical power max.:

1.4 kW

Key Information:

External dimensions, Width: 600 mm

External dimensions, Depth: 580 mm

External dimensions, Height: 870 mm

Net weight: 82 kg

Sustainability

Refrigerant type: R290